

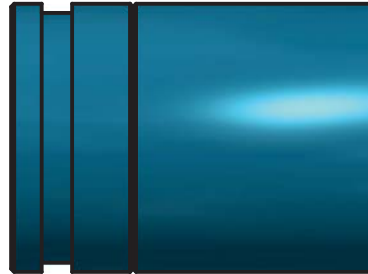
MACSTEEL

MAC GROOVE PIPE SYSTEMS

Groove-ended steel pipes, fittings and couplings to SABS 815-2

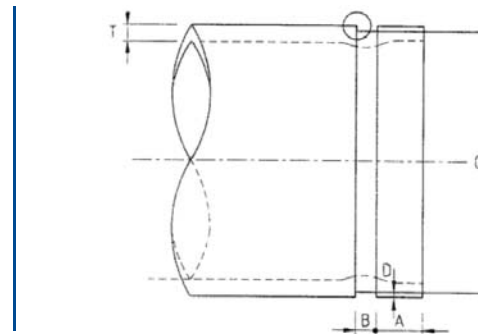


Roll Groove-ended fabricated pipes and fittings



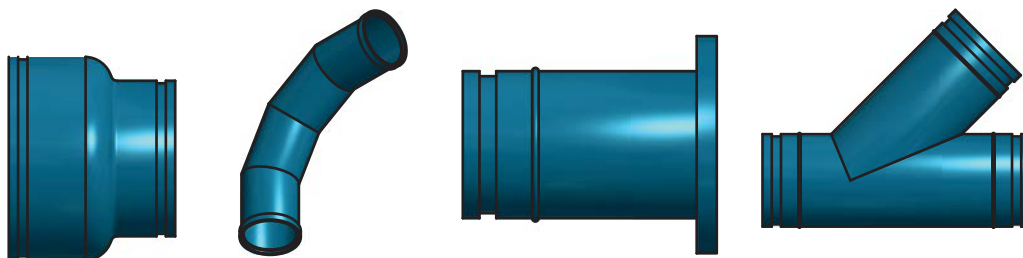
Cut Groove-ended fabricated pipes and fittings

- The groove-ended system will allow for controlled lateral pipe movement, including expansion, contraction and limited deflection
- Three to five times faster to install than welding on site
- Coatings - hot dipped galvanizing to SANS 121 and/or to customer specification



NB	OD mm	Gasket Seat A mm	Roll Groove Width B mm	Cut Groove Width B mm	Groove Dia C max/min
50	60.3	15.1 - 16.6	8.0-9.5	7.2-8.7	56.8-57.2
80	88.9	15.1 - 16.6	8.0-9.5	7.2-8.7	84.5-84.9
100	114.3	15.1 - 16.6	8.0-9.5	8.8-10.3	109.6-110.1
150	165.1	15.1 - 16.6	8.0-9.5	8.8-10.3	160.2-160.8
150	168.3	15.1 - 16.6	8.0-9.5	8.8-10.3	163.4-164.0
200	219.1	18.3 - 19.8	10.4-11.9	10.4-11.9	213.8-214.4
250	273.0	18.3 - 19.8	11.9-13.5	11.9-13.5	267.6-268.3
300	323.9	18.3 - 19.8	11.9-13.5	11.9-13.5	317.5-318.3

Full range of fabricated roll groove-ended and cut groove-ended fittings available



TUBE & PIPE

MACSTEEL

MAC GROOVE PIPE SYSTEMS

Groove-ended steel pipes, fittings and couplings to SABS 815-2

MacWrap: External Denso Protection for Steel Pipes

- Denso Primer D: Fast drying bitumen based primer for all surfaces prior to the application of Denso Tapes
- Denso Ultraflex 750/300: Cold applied laminate tape consisting of a pressure sensitive, non-hardening polymer modified bitumen adhesive layer, laminated to specially formulated elasomerically modified polyethylene backing film
- Denso Profiling Mastic: Cold applied, self supporting mastic, composed of saturated petroleum hydrocarbons, beads of closed cell cellular polymer and flow control adhesives; covered with a PVC outer wrap



Wrapped pipes

Shurjoint, a Tyco International Company: Couplings

- Grooved Cast Coupling for applications of moderate or high pressure services
- The Surjoint grooved piping system is one of the most advanced, versatile, economical and reliable systems available. A coupling can be installed 3-4 times faster than a comparable butt-welded joint on site



Model 7707 Coupling

Nominal size NB	Maximum working pressure (Bar)		
	7707 Heavy Duty Flexible Coupling*	Z07 Heavy Duty Rigid Coupling	XH-100 Extra Heavy Rigid Coupling
50	70	52	70
80	70	52	70
100	70	52	70
150 [165mm OD]	70	52	-
150 [168mm OD]	70	52	70
200	52	28	52
250	52	28	52
300	52	28	52

* As tested with scheduled STD pipe and cut groove-ends



TUBE & PIPE